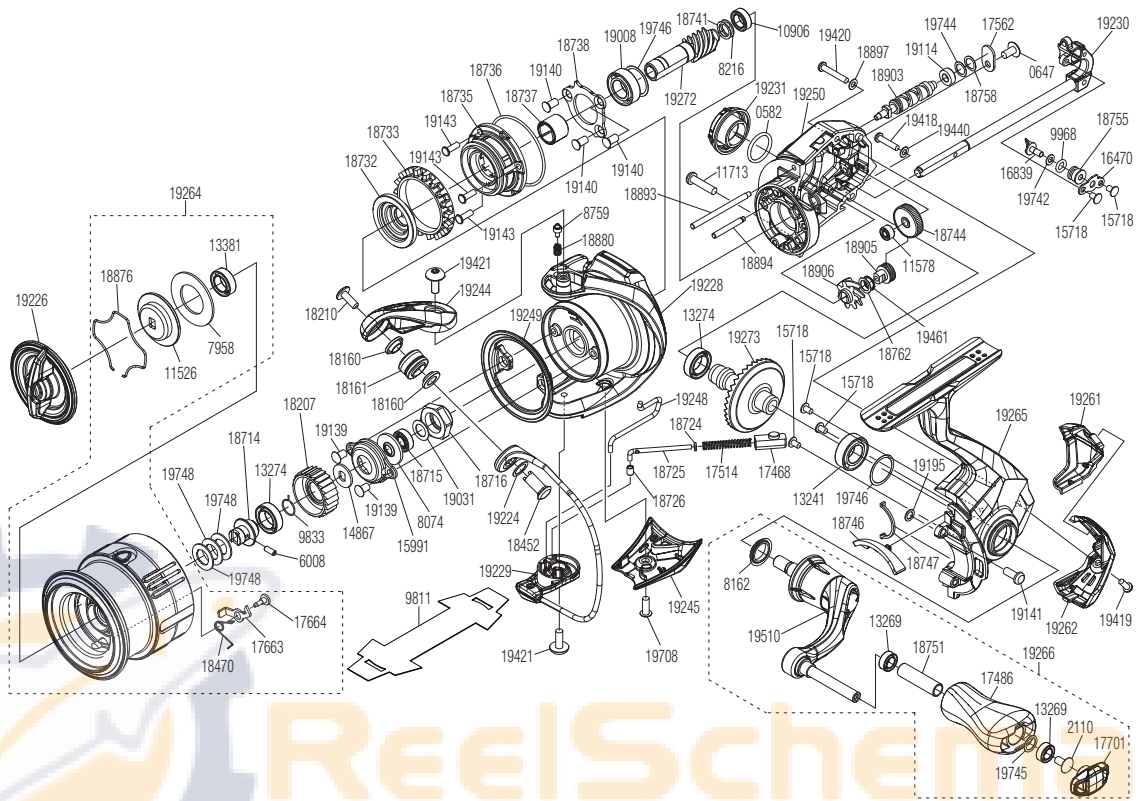


SHIMANO

Vanquish SA-RB

VQ-C2000S



Please note that the number of adjusting washers may not be the same as shown in the exploded views. (Adjustment will vary with each individual product.)

RD 18735 Roller Clutch Assembly please send the equipment out to after-sales service for replacement of the roller clutch assembly.

(51SF28B020X)

Part No.	Description	Part No.	Description	Part No.	Description
RD 0582	O Ring	RD18715	Main Shaft Spacer Assembly	RD19229	Bail Assembly
RD 0647	Screw	RD18716	Rotor Nut	RD19230	Main Shaft Assembly
RD 2110	Screw	RD18724	Spring Guide A Support Collar	RD19231	Handle Screw Cap Assembly
RD 6008	Set Screw	RD18725	Bail Spring Guide	RD19244	Bail Arm
RD 7958	Drag Washer	RD18726	Bail Spring Guide A Bush	RD19245	Bail Hold Support Guard
RD 8074	Bearing Water Proof	RD18732	Rotor Ring	RD19248	Bail Trip Lever
RD 8162	Handle Shaft Seal	RD18733	Friction Ring	RD19249	Rotor Brim
RD 8216	Spacer	RD18735	Roller Clutch Assembly	RD19250	Body
RD 8759	Click Pin	RD18736	Roller Clutch Case Seal	RD19261	Rear Shield
RD 9833	Ratchet Spring	RD18737	Roller Clutch Inner	RD19262	Rear Protector
RD 9968	O Ring	RD18738	Bearing Retainer	RD19264	Spool Assembly
RD10906	Ball Bearing	RD18741	Washer	RD19265	Side Cover Assembly
RD11526	Key Washer	RD18744	Idle Gear	RD19266	Handle Assembly
RD11578	Ball Bearing	RD18746	Bail Trip Strike	RD19272	Pinion Gear
RD11713	Screw	RD18747	Flange Water Proof	RD19273	Drive Gear
RD13241	Ball Bearing	RD18751	Handle Knob Shaft Pipe	RD19418	Screw
RD13269	Ball Bearing	RD18755	Oscillating Slider Bushing	RD19419	Screw
RD13274	Ball Bearing	RD18758	Washer	RD19420	Screw
RD13381	Ball Bearing	RD18762	Washer	RD19421	Screw
RD14867	Spool Support A	RD18876	Retainer	RD19440	Washer
RD15718	Screw	RD18880	Click Spring	RD19461	Washer
RD15991	Nut Lock Plate	RD18893	Oscillating Guide A	RD19510	Handle Shank Assembly
RD16470	Oscillating Pawl Cover	RD18894	Idle Gear Shaft	RD19708	Screw
RD16839	Oscillating Pawl	RD18897	Washer	RD19742	Washer
RD17468	Bail Spring Guide B	RD18903	Worm Shaft	RD19744	Washer
RD17486	Handle Knob	RD18905	Idle Gear (Small)	RD19745	Washer
RD17514	Bail Spring	RD18906	Idle Gear (Large)	RD19746	Washer
RD17562	Worm Shaft Retainer	RD19008	Ball Bearing	RD19748	Washer
RD17663	Drag Click Screw	RD19031	Washer		
RD17664	Screw	RD19114	Bushing		
RD17701	Handle Knob Seal	RD19139	Screw		
RD18160	Collar	RD19140	Screw		
RD18161	Line Roller Set	RD19141	Screw		
RD18207	Drag Click Ratchet	RD19143	Screw		
RD18210	Screw	RD19195	Washer		
RD18452	Line Roller Support	RD19224	Washer		
RD18470	Drag Click Spring	RD19226	Drag Knob Assembly		
RD18714	Spool Bearing Bushing	RD19228	Rotor Assembly	RD 9811	Reel Seat Spacer (accessory)